

ZOOM 12W LED Spike light

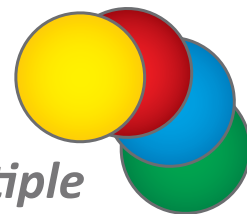


Description

Zoom 12W LED Garden Spike Light Series offers a range of different lighting effects in the one box. Simply attach the desired filters and cover cap included to create Warm White, Red, Green or Blue Light. Or simply add the cover cap for low glare applications. Featuring a high output 12W LED chip, 60 degree wide beam angle, 150 degree tilt adjustable head and a black powder coated frame. Low voltage 12V DC LED driver required. Includes PC Anti-UV filters and cover cap.

Specification Features

Input Voltage: 12V DC
 Power (W): 12W
 IP rating (IP): 67
 Lumens (lm): White 5000K - 500lm
 LED type: COB
 CCT: 5000K
 CRI: ≥80
 Beam angle (°): 60°
 Dimmable: No
 Lifespan (hrs): 30,000hrs
12V DC LED Driver required

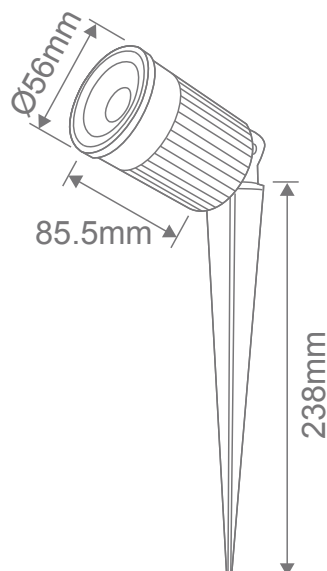


**Multiple
Colour Filters**

Select your desired effect by simply adding components included in the box:

- Low Glare Effect - Add Cover cap
- Warm White - Add Yellow Filter and Cover Cap
- Red Light - Add Red Filter and Cover Cap
- Green Light - Add Green Filter and Cover Cap
- Blue Light - Add Blue Filter and Cover Cap

Diagrams / Additional



Item No.	Variant	Colour
ZOOM-SPIKE-12W-W	25690	5000K