

BF-2185 Ceramic Wall Uplight



Description

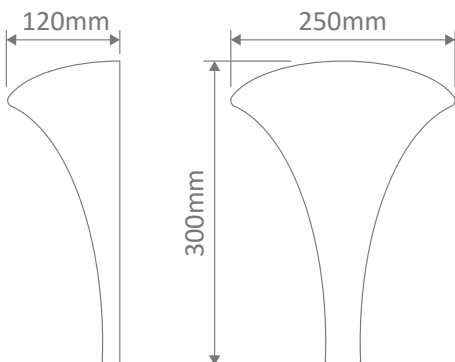
Raw ceramic modern uplight wall light. Ceramic areas can be painted with any water based paint. Made in Italy. Raw Ceramic Requires : 1 x G9 lamp



Specification Features

Input Voltage: 240V
 Power (W): 40W
 Lifespan (hrs): 50,000hrs
Requires 1 x G9 Lamp

Diagrams / Additional



Item No.	Variant	Colour
BF-2185	11036	Raw Ceramic