



## DECO-13-ADAPT

### Adaptor Plate

#### Description

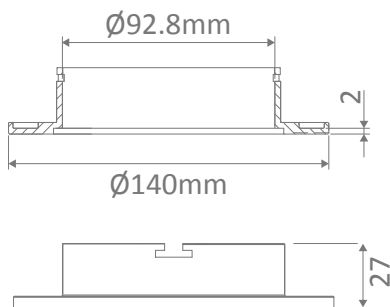
140mm adaptor plate to suit Deco 13 LED Downlight.  
Designed to allow the Deco 13 to be installed in larger cutout hole sizes.

#### Specification Features

Diameter: 140mm  
Height: 27mm  
Cutout (p): Ø110-130mm

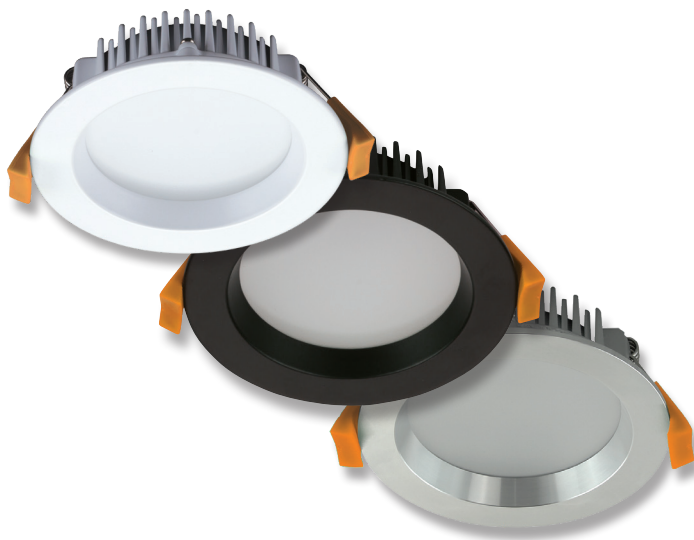
*Suits the Deco-13 Round (sold separately)*

#### Diagrams / Additional



Item No.	Variant	Colour
DECO-ADAP	20504	White
	20507	Black

#### DECO-13 *(Sold Separately)*



Item No.	Variant	Colour	CCT
DECO-13-RND	20504	White	Trio
DECO-13-RND	20421	Black	Trio
DECO-13-RND	20422	Aluminium	Trio