

## PANEL-606 Backlit LED Panel Light



### Description

36W LED Panel light. White frame, opal diffuser. These are ideal as ceiling light for T-BAR ceilings, or by using a plaster recessed frame, ideal for commercial applications, office spaces. Now with TRIO, the added option of changing the colour temperature output of the panel with a dip switch function attached to the cable of the fitting.

The added harmonic filter will minimise and reduce the total harmonic distortion and therefore significantly reduce flicker and any potential strobing effects. Standard LED drivers that are not “flicker-free”, may potentially cause health implications and interfere with photo quality using digital cameras and recordings with video cameras. This “flicker-free” feature will remove the rolling band flicker effect seen in recorded videos. Ideal for work and office environments, as well as residential applications.

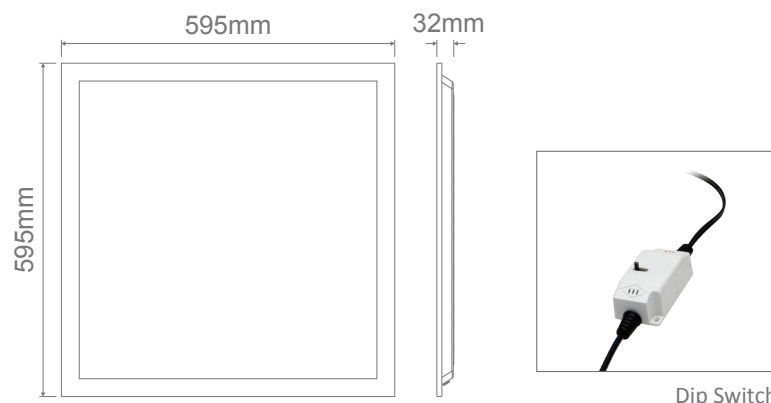


### Specification Features

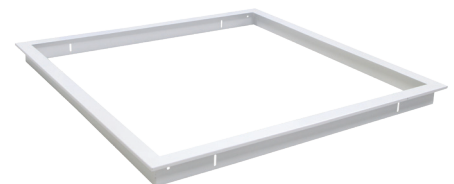
Input Voltage:	240V
Power (W):	36W
IP rating (IP):	20
Lumens (lm):	Warm White 3000K - 3145lm Neutral White 4000K - 3500lm White 5700K - 3260lm
LED type:	High efficiency SMD LED
CCT:	3000K - 4000K - 5700K (Switchable)
CRI:	≥80
Dimmable:	No
Driver:	Flicker-free driver**
Mounting Type:	Recessed into standard grid ceiling or via optional plaster trim kit for plaster board ceilings or via optional wire suspended or surface mounted kit.
Lifespan (hrs):	40,000hrs

\*DISCLAIMER: Please note our Three Year Warranty does not cover discolouration of the diffuser.  
\*\*Harmonic filter within driver reduces output noise and emitted harmonics.

### Diagrams / Additional



Item No.	Variant	CCT
PANEL-606-BLT	17621	TRIO



#### LED Panel Trim (Recessed Plaster Frame)

Item No.	Variant
LED Panel Trim	19327



#### SM Kit (Surface Mounted Frame)

Item No.	Variant
SM-KIT-606-BLT	19343