



## FLUID LED Floodlight

### Description

A smart and contemporary pond/pool luminaire for under water use. Made from imported 316 stainless steel. This will be a fantastic addition for any contemporary water feature or pond application.

The FLUID underwater pond/pool light is made from imported 316 stainless steel, unique fin design for enhanced cooling, 3 x 1W Cree LED used, 60° beam angle, LED Lamp, IP68 rated, 12/24V DC, 3 metres rubberised cable, 50,000hrs rated.

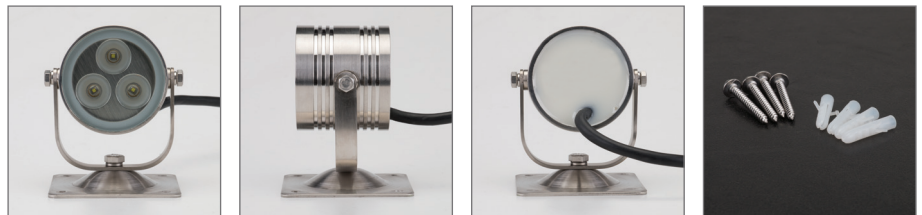


### Specification Features

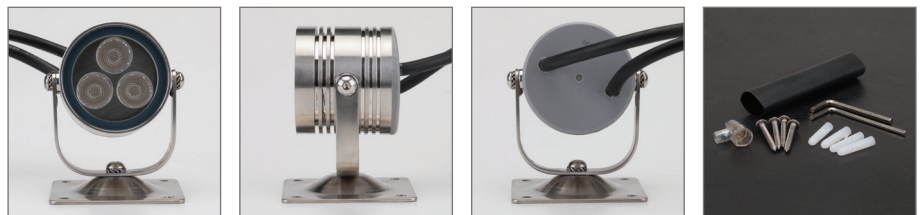
- Input Voltage: 12V/24V DC
- Power (W): 3W
- IP rating (IP): 68
- Lumens (lm): Warm White 3200K  
White 6400K
- LED type: CREE
- CCT: 3200K - 6400K
- CRI: ≥80
- Beam angle (°): 60°
- Dimmable: No
- Lifespan (hrs): 50,000hrs

*Requires a constant voltage 12/24V DC LED Driver.*

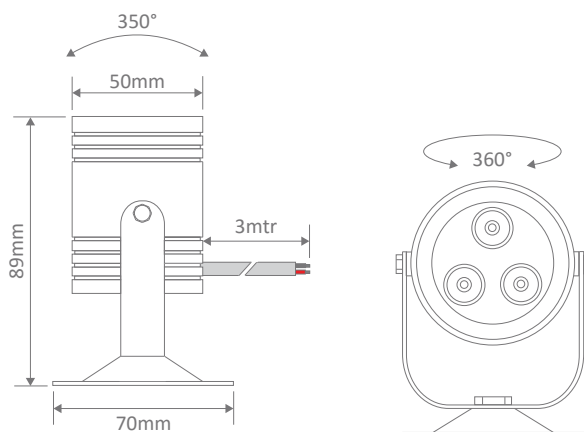
Single Colour



RGB Colour



### Diagrams / Additional



- Order Code: 21328
- Product Code: FLUID-3W-60-WW
- Colour: Stainless Steel - 3200K Warm White
- Order Code: 21327
- Product Code: FLUID-3W-60-W
- Colour: Stainless Steel - 6400K White
- Order Code: 21329
- Product Code: FLUID-3W-60-RGB
- Colour: Stainless Steel - RGB