

CLARO

Date: 02/2020

Variants

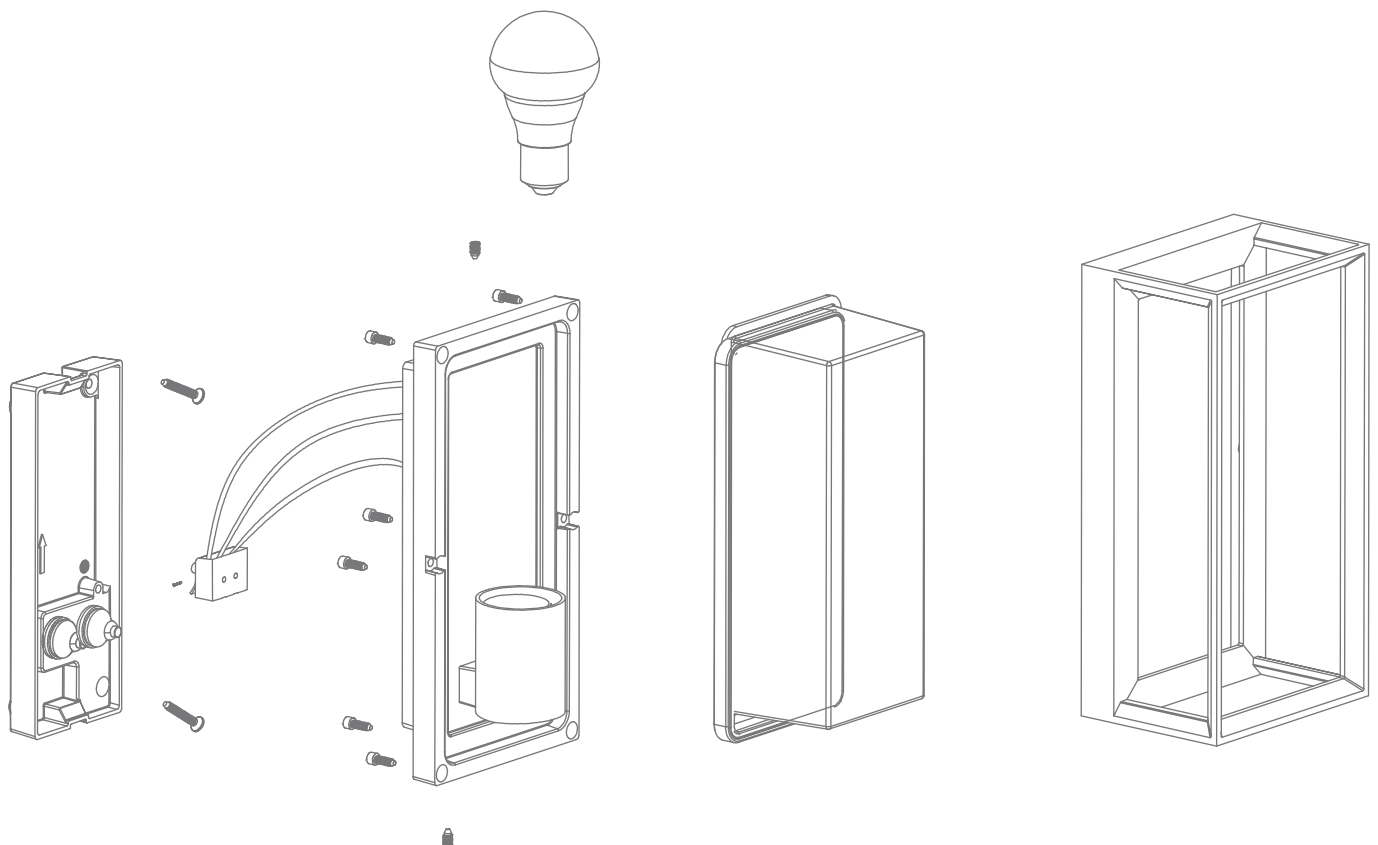
Blk	Dgr	Item No.	Lamp Base
19890	19891	CLARO	E27

Thank you for purchasing your new CLARO Wall Light, Please take the time to read and understand the instruction sheet below. Failure to do so may void warranty.

Specifications

Voltage:	Power:	IP Rating:	CRI:	Lamp:
240V AC	60W	65	≥80	E27

Requires: 1xE27 Globe (Not included)



Note: -The lamp must be installed by professional electrician
 -Ensure the power supply is switched off before fitting this product

-Do not touch the lamp when in use
 -Keep away from hot steam and corrosive gas