

BF-2601B Ceramic Wall Uplight



Description

Raw ceramic modern uplight wall light. Ceramic areas can be painted with any water based paint.. Made in Italy. Raw Ceramic Requires : 1 x G9 lamp



Specification Features

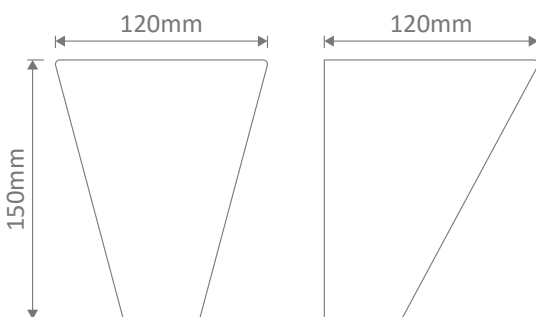
Input Voltage: 240V AC

Power (W): 60W

Lifespan (hrs): 50,000hrs

Requires 2x G9 Lamp

Diagrams / Additional



Item No.	Variant	Colour
BF-2601B	11083	Raw Ceramic



Replacement Globe

KEY-G9-TRIO

65126