

Elite Spike Garden Light



Description

The ELITE-SPIKE completes the family range. The ELITE-SPIKE is a contemporary garden spike light designed for highlighting special features within your landscape environment. Made from a solid 6063 grade aluminium and clear anodised for a spectacular long lasting finish that's suitable for the harshest of environments including coastal areas. The ELITE-SPIKE comes complete with either a 6W replaceable LED lamp (complimentary) or as body only with no lamp. The ELITE-SPIKE is coupled with a 1.5mtr rubberised cable and plastic spike for easy installation.

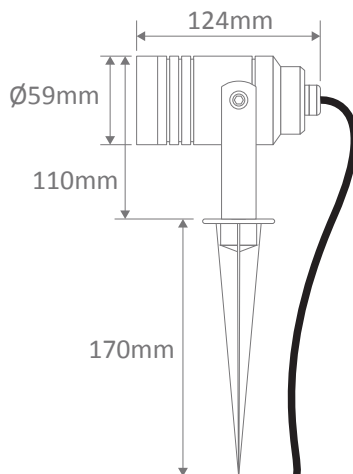


Specification Features

Input Voltage:	12V DC
Power (W):	6W (if used with supplied lamp)
IP rating (IP):	54
Lumens (lm):	Warm White 3000K - 500lm Neutral White 4000K - 550lm Cool White 6500K - 550lm
LED type:	MR16 TRIO
CCT:	3000K - 4000K - 6500K
CRI:	≥80
Beam angle (°):	60°
Dimmable:	No
Lifespan (hrs):	50,000hrs

*Requires 12V DC Constant Voltage LED Driver – Wire in Parallel
Please note: The above information is applied if using the supplied complimentary lamp. If any other lamp is used please take notice of the supplier's recommendations before connection.*

Diagrams / Additional



Item No.	Variant		CCT
	Blk	Alu	
ELITE-SPIKE	19148	19147	TRIO
	19666	19499	No Lamp (Body Only)