



LP-3535-RC

LED Profile REC 35x35mm P/M C/W DIFF & EC

Description

Introducing the LP-3535-RC mounting profile system. The LP-3535-RC is specifically designed for the Domus range of LED strip lighting. This aluminium mounting profile system incorporated extruded profile complete with a flat opal colour PMMA diffuser. The key features of the LP-3535-RC is the ability to not only conceal the LED strip lighting but also keep the strip lighting linear. Also, the LP-3535-RC keeps LEDs free from foreign objects and vapours which may damage the LEDs. Another key point is in the mounting of this profile. Specifically designed as a recessed ceiling mounted profile the LP-3535-RC will create a visual impact with its seamless and clean lines.



Specification Features

Installation:	Recessed ceiling or wall
Material:	Extruded aluminium 6063
Finish:	Natural clear anodised
Diffuser:	Flat (PMMA) high output frost
Length (mm):	2500mm continuous*
Size (mm):	Profile (W) 43.8mm, (H) 34.8mm
Accessories (each):	End caps (silver) and mounting saddles**
Special:	Custom powder coated colour upon request***

* Profile sold per meter. Can be cut to suit any length.

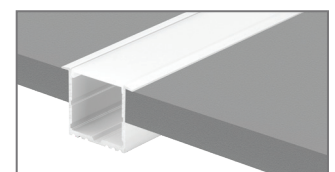
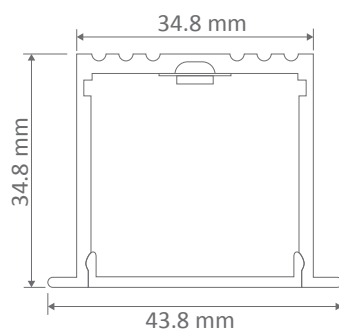
** Accessories to be ordered separately.

*** Special powder coat finishes upon request. Surcharges apply.

PLEX Compatible Strip

PLEX-COB-5-IP54	PLEX-RGBTW-IP67
PLEX-COB-10-IP54	PLEX-RGB-IP54
PLEX-COB-15-IP54	PLEX-RGB-IP67
PLEX-COB-20-IP54	PLEX-COB-TW-IP54
PLEX-COB-5-IP67	PLEX-COB-TW-IP67
PLEX-COB-10-IP67	PLEX-MICRO
PLEX-COB-15-IP67	PLEX-ULTRA-IP54
PLEX-COB-20-IP67	PLEX-ULTRA-IP67
PLEX-VIVID-IP54	PLEX-SMD-5-IP66
PLEX-VIVID-IP67	PLEX-SMD-9-IP54
PLEX-RGBTW-IP54	PLEX-SMD-9-IP67

Diagrams / Additional



Simulation

Item No.	Variant			Details
	Alu	Blk	Wht	
LP-3535-RC-1M	22034	22074	22075	Sold per 1 metre
LP-3535-RC-2.5M	22141	22142	22143	Sold Per 3 Metre