

Orbis

4 in 1 Retrofit Bathroom Heater



Description

The ORBIS 4-In-1 Retrofit Line Bathroom Heater offers an ultra-modern circular appearance, designed to replace previously installed 3-In-1 Infrared bathroom heater models. Suitable for most contemporary bathroom designs, combined with the latest technology in PTC bathroom heater models. Retrofit Line range offers 4-In-1 Functions – Heater, Exhaust Fan, Circulating Fan, and Light Unit. Patented Heat Breeze Technology heats the room while offering low level extraction to help reduce condensation build up in the bathroom.

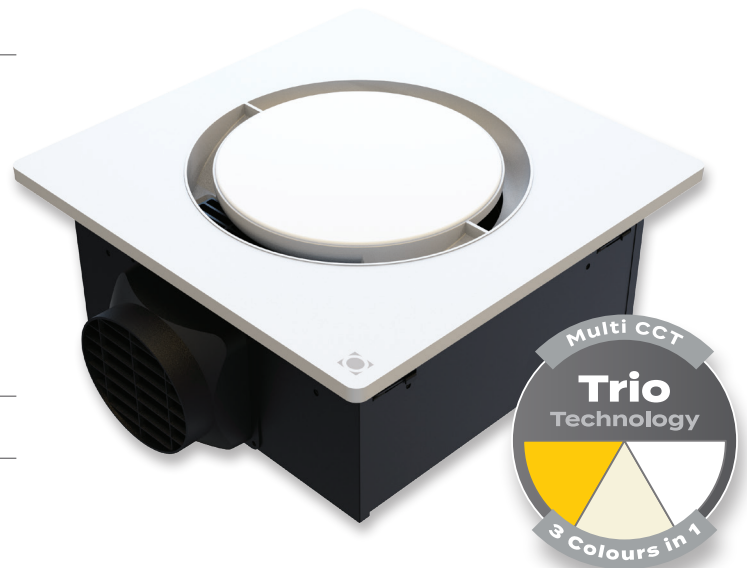
This Retrofit Line model features a single AC Motor, producing a 2150W output of powerful heat breeze, high volume extraction at 300m³/h, circulating fan to reduce warm temperature build up, and a 12W LED Tri-Colour switchable light. Complete with Digital Wall Controller, allowing easy switching from all modes, and an ALL-OFF button for exiting. Ideal for retrofit installations, where no extra switch wires are required, simply utilising two cores from the 5-core wiring that is existing from previous installation.

Domus PTC Bathroom Heaters feature an advanced safety feature where the unit will automatically shut off after two hours in case it is left on accidentally. If the unit runs for two hours continuously, a safety function will automatically turn it off. This setting can be overridden and reset by pressing any switch on the controller within this two-hour period. Ideal for new and existing installations with a larger 390x390mm fascia frame, and a cutout size of 330x350mm, which will cover most existing 2 and 4 Heat Infrared Bathroom Heater models. Accessories include Digital Controller Wall Controller, 3M Flexible Duct, and Exterior Grille. All Domus PTC Bathroom Heaters are backed by our 5 Year In-Home Warranty.

Specification Features

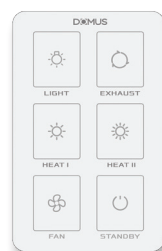
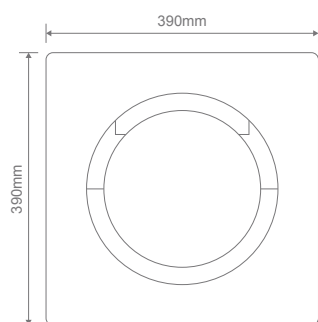
| | | | |
|----------------------|------------------------------------|-----------------|-----------------|
| Input Voltage: | 240V AC | | |
| Power (W): | 2250W | | |
| Motor Wattage (W): | 60W AC | | |
| Fan Size: | 60W | | |
| Air Extraction: | 300m ³ /h | | |
| Heat Wattage: | 2150W | | |
| Heat Type: | PTC Heating Element | | |
| Light Wattage: | 12W LED | | |
| IP Rating (IP): | IPX2 | | |
| Decibel Rating (dB): | ≤46dB | | |
| CCT: | 3000K - 4000K - 5000K (Changeable) | | |
| Lumen Output | 3000K 1000lm | 4000K 1150lm | 5000K 1100lm |
| CRI: | ≥80 | | |
| Cutout: | 330x350mm | | |
| Fascia Size: | 390x390mm | | |
| Duct Size: | 100mm | | |
| Product Weight: | 5.8Kg | | |

Accessories: 6-Switch Digital Wall Controller, 3M Flexible Duct, Exterior Grille



| Item No. | Variant | CCT |
|----------|---------|------|
| ORBIS | 56021 | TRIO |

Diagrams / Additional



White Wall Controller
(Included)



Horizontal Switchplate
Film Cover (Included)



Coloured Vertical Switchplate
Film Covers (Sold Separately)